



Congratulations on your purchase of the new Luraco Legend Medical Massage Chair!

We are pleased that you have chosen Luraco for your massage chair purchase, and we hope you will enjoy the quality, convenience, and excellent performance of your new Luraco Legend Massage Chair. We know from experience that you will soon be telling your friends and family about the health benefits of using a massage chair at home, and how enjoyable and easy it is to operate the Luraco Legend massage chair.

Customer Assistance

For assistance with this product, please visit:

www.luracochair.com

Or call Luraco Customer Care toll-free at:

1-800-483-9930 Monday – Friday 8:30 am to 5:00 pm

To save time, please note your serial number and date of purchase before calling.

© All Rights Reserved. Luraco Health & Beauty, LLC. Oct. 2017 www.luracochair.com

TABLE OF CONTENTS

	Page #
I. INTRODUCTION	3
II. IMPORTANT SAFETY INSTRUCTIONS	3
1. When using any electrical mechanism, basic precautions should always be followed. Read all instructions before using.	
2. Grounding Instructions	4
Medical Warnings	5
Emergency Stop	5
Caution for User	6
III. INSTALLATION INSTRUCTIONS	8
1. Step 1: Unpack the two large packages	8
2. Step 2: Assemble the armrests	8
IV. UNDERSTANDING REMOTE CONTROL FEATURES	10
1. Home Screen	10
2. Automatic and Manual Massage Modes	11
3. Manual 3D Modes	13
4. Chair Adjustments	14
5. Heating Features	15
6. Intensity Adjustments	16
7. Speed Adjustment	17
8. Settings	18
9. Users	19
V. HEALTHCARE DEVICE (Optional)	20
1. About the Device	20
2. Taking a Measurement	21
VI. TROUBLESHOOTING THE MASSAGE CHAIR	22
VII. WARRANTY INFORMATION	24
1. For Home Use	24
2. For Commercial Use	25
VIII. DISCLAIMERS	26
IX. EXTENDED WARRANTY REGISTRATION	27

I. INTRODUCTION

Luraco L-Track Legend: The Newest Addition to our The World's #1 Medical Massage Chair® Product Line

INNOVATION + QUALITY + LUXURY

In an effort to revolutionize the massage experience, Luraco Health & Beauty, an industry leader in massage chair manufacturing has successfully developed a new L-Track model of The World's #1 Medical Massage Chair product line. Bringing together all aspects of innovative technologies, massage therapy techniques, and healthcare features into one ingenious and comprehensive machine, the L-Track Legend is truly among the industry's Best Massage Chairs.

Outstanding Features and Technologies:

- Latest technology in L-Track and 3D Robotics (Massage rollers go from user's head to hamstrings)
- Easy to use touch screen controller
- Up to 5 personal user memory settings so the whole family can enjoy
- 5 levels of intensity control
- User height recommendations of up to 6' 5" and weight up to 300 pounds
- Latest in intelligent sensor technology for accurate automatic body shape and neck detection
- Noise reduction technology - very quiet operation
- Body stretching
- Advanced foot massage with double rollers and air calf massage
- Body heat with 5 intensity levels
- Experience the latest in massage technologies featuring ZERO GRAVITY (neutral body posture position) which has been proven to heighten the state of relaxation and well-being
- 9 automatic preset programs
- Limitless customizable individual body part massage profiles
- Sectional control with 5 levels of intensity and speed
- Intelligent self-diagnostics
- Research & Development in U.S.A, Structural Hardware & Leather are made in Taiwan, Electronic Hardware made in U.S.A, Software made in U.S.A, Final Assembly in U.S.A
- U.S based customer service and after sales support
- FDA, UL, and CE listed

Relax and enjoy an accurate automatic body shape detection preparing you for the **most advanced 3D robotic massage**, providing an outstanding head to leg massage with a roller track length of 58 inches. Experience a 3 layered calf and foot massage, heat therapy for the back and feet, a comfortable full arm massage and advanced foot massager with double rollers, features not found on any other products.

II. IMPORTANT SAFETY INSTRUCTIONS

1. When using an electrical mechanism, basic precautions should always be followed, including the following: **Read all instructions before using.**



WARNING – To reduce the risk of burns, fire, electric shock, or injury to persons:

1. The main power switch is marked with international symbols “O” and “I”. The switch in position “I” means that system is on, and the switch in position “O” means that system is off.
2. The chair should never be left unattended when plugged in. Unplug from outlet when not in use and before putting on or taking off parts.
3. **DO NOT** wear shoes, jewelry, glasses, or watches of any kind.
4. Close supervision is necessary when this appliance is used near children, invalids, or disabled persons. Keep children away from extended foot support (or other similar parts).
5. Use the chair only for its intended use as described in this manual. Do not use attachments not recommended by the manufacturer.
6. Never operate the chair if it has a damaged cord or plug, if it is not working properly, if it has been dropped, damaged, or dropped into water. Return the appliance to an authorized service center for examination and repair.
7. Keep the cord away from heated surfaces.
8. Do not use outdoors.
9. Do not operate where aerosol (spray) products are being used or where oxygen is being administered.
10. To disconnect, turn power switch to the off position, then remove plug from outlet.
11. Connect this appliance to a properly grounded outlet only. See Grounding Instructions.
12. Do not play with roller mechanism.
13. Do not play with actuators.
14. Keep the cord out of heavy traffic areas. To avoid fire hazard, **NEVER** put the cord under rugs or near heat generating devices.
15. Always unplug the power cord from the electrical outlet immediately after use and before cleaning.
16. Do not operate any chair with damaged parts.
17. Any other use not recommended by the manufacturer may cause electrical shock or injury to persons.
18. Do not touch or re-wire the connectors to the master-box.
19. Do not attempt to repair or adjust any electrical or mechanical functions on this unit. Doing so will void the warranty.

After reading this user’s guide, if you have any questions or comments, please call 1-800-483-9930, contact our technical support department at support@Luraco.com or visit our website www.LuracoChair.com for more information.

2. Grounding Instructions

This product must be grounded. If there is a malfunction or breakdown, the grounding provides a path of least resistance for electric current to flow, thus reducing the risk of electric shock. This product is equipped with a cord having an equipment-grounding conductor and a grounding plug. The plug must be plugged into an appropriate outlet that is properly grounded in accordance with all local codes and ordinances.

DANGER - Improper connection of the equipment-grounding conductor can result in a risk of electric shock. Check with a qualified electrician or serviceman if you are in doubt as to whether the product is properly grounded. Do not modify the plug provided with the product, if it does not fit the outlet; have a proper outlet installed by a qualified electrician.

Followed by either instruction a) or b) below:

- a) This product is for use on a normal power circuit, and has a grounding plug that looks like the plug illustrated in sketch A in Figure 1 below. A temporary adapter that looks like the adapter illustrated in sketches B and C may be used to connect this plug to a 2-pole receptacle as shown in sketch B if a properly grounded outlet is not available. **The temporary adapter should be used only until a properly grounded outlet (sketch A) can be installed by a qualified electrician.** The green colored rigid ear, lug, or the like extending from the adapter must be connected to a permanent ground such as a properly grounded outlet box cover. Whenever the adapter is used, it must be held in place by a metal screw.
- b) This product is for use on a normal power circuit, and has a grounding plug that looks like the plug illustrated in sketch A in Figure 1 below. Make sure that the product is connected to an outlet having the same configuration as the plug. **No adapter should be used with this product.**

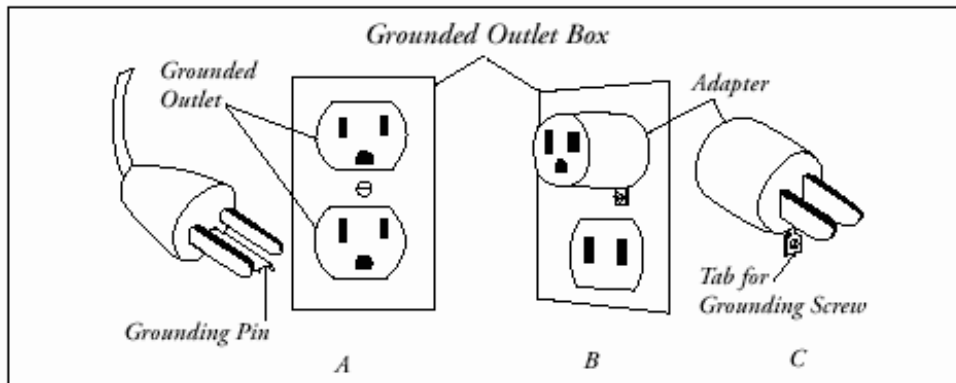


Fig.1: Grounding Instruction



MEDICAL WARNINGS – NOT RECOMMENDED FOR

- Pregnant women
- People with distorted joints, broken bones, skin infection or injury
- Children under 12 years of age

If you have any of the above medical issues or any other concerns, please consult your doctor before using the massage chair.



DO NOT

- Allow children or pets to play near the chair, especially during operation.
- Use any massage function on the head.
- Massage abdominal area or knee cap region.
- Leave mobility impaired or speech impaired people alone in chair.
- Wear shoes, jewelry, glasses, or watches of any kind.



EMERGENCY STOP

In case of emergency, press the stop button on the remote to stop the system.

Additional Safety Precautions

- Do not use more than 30 minutes per session.
- Do not place or store the chair near damp places such as swimming pools or bathrooms.
- Do not forcibly press on the massage rollers.
- Do not stand on the chair or store heavy items on the chair.
- Do not use in an environment which is dusty, greasy or lacking oxygen.
- Do not place near steam, oven, open fire, or heat.
- Do not place directly in the sun.
- Do not use electric blanket while using the massage chair.
- Do not use outdoors.
- Do not use while smoking.
- Do not eat or drink in chair when operating.
- Do place this machine horizontally with space over 81 inches, enough for full recline mode.
- Do place on level floor.
- Do wear suitable clothing at all times while using.

Note: Do not use the chair as a bed or to sleep on over a long period of time. The recommended time of use is 20 minutes. Prolonged massaging may cause aches, muscle or nerve issues. (The preferred total duration of massaging within the day should be 30 minutes total or less).



CAUTION FOR USER

- This device should not be used until grounded.
- Do not move the chair while in use
- Do not place heavy objects or sit on the armrest, foot rest or back of the chair to avoid overturning or damaging the chair.
- Do not pull the fabric forcefully or stab it with sharp objects which can result in personal injury or damage to the chair.
- Do not move the chair on wooden floor, carpet or other easily damaged flooring.
- Children and pets should not be allowed to play around chair.
- Please be sure that no people, pets, or other objects are behind the chair or under the legs before reclining lowering the leg massager.
- Do not put your hands or head under the chair.
- When using the massage chair, make sure that the foot rest is in the lowest position.
- Do not use immediately after meals.
- Do not use the massage chair when your body is wet or moist as it may result in electrical shock.
- Do not operate with more than one person in the chair.
- Do not use when wearing head ornamentation as it can result in injury.
- Do not stumble over electrical wires or connections
- Do not touch the inner parts of the chair as this can cause damage and electrical shock.
- Do not dismantle and remove inner parts, or repair the massage chair.

Do Not Use the Chair under the Following Conditions

- When the chair has been exposed to water or fails to operate.
- If power cable is damaged.
- Please stop using the massage chair immediately and consult a doctor if you feel abnormal

or extremely achy during the course of the massage.

- If power failure occurs.
- When the massage chair malfunctions during the course of operation.
- Do not operate during a thunderstorm.

Methods of Storage

- Do not dismantle the back of the chair.
- Keep the massage chair free of dust.
- Cover the chair with a dust-free cloth to prevent dust from collecting.
- Do not store in a hot, humid, damp place nor in direct sunlight or heat.

Cleaning Methods

- Before cleaning, to avoid shock unplug from electrical source.
- Clean the chair surface with neutral or mild detergent.
- Use leather cleaner and leather conditioner.
- Dust can be cleaned off with a damp cloth and let air dry.
- Do not spray pesticide on device.
- Do not use a damp cloth on the electrical components which can cause shock and damage.

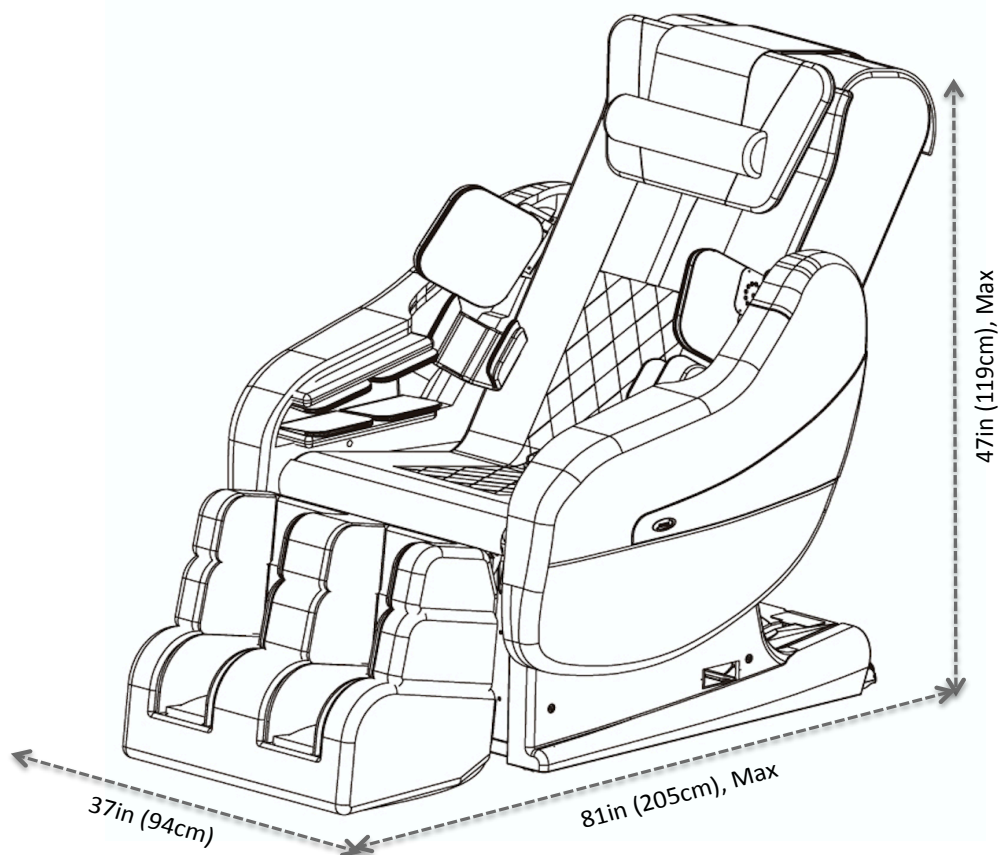


Fig.2: Space Requirement for Chair Operation

III. INSTALLATION INSTRUCTIONS

PLACEMENT

There must be enough space around the chair for proper operation. There is a required minimum clearance of 32 inches (81cm) from the front of the chair to the wall, and 27 inches (68cm) from the wall to the backrest.

Step 1: Unpack the package

Take out the armrests, main body, and remote control from the boxes carefully.

Note: The Luraco Legend requires at least two people to assist with assembly.



ATTENTION: Be sure no children, pets, or objects are around chair. Allow enough space for installation.

Step 2: Assemble the Armrests

Please refer to Fig.3 and follow the steps (1-3) below to install the armrests.

1. Connect the air tubes (1). **Please note: The alphabetic labels on each air tube must be matched in order for the chair to operate correctly.**
2. Insert the armrest guides (2)
3. Install the mounting screws (3)

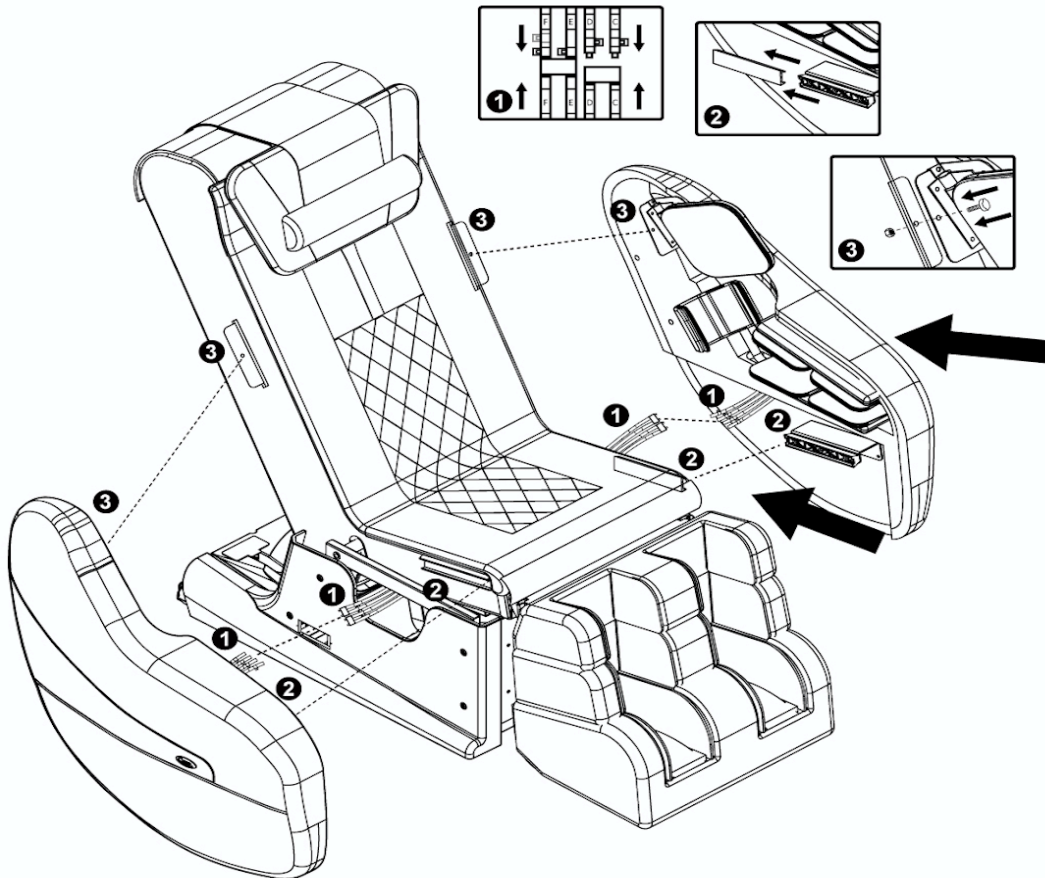


Fig.3: Armrest Installation



ATTENTION!

- Be sure no objects are behind the chair before reclining
- For a higher intensity foot massage, remove the gentle pads located on top of the foot rollers.
- For a higher intensity neck and shoulder massage, flip the pillow to the back of the chair

Step 3: Connect Control Panel and Other Electrical Accessory Devices

1. Please refer to Fig.4 below for remote control and other accessory devices connections.

Note: This panel is located on the right side of the chair slightly below the armrest

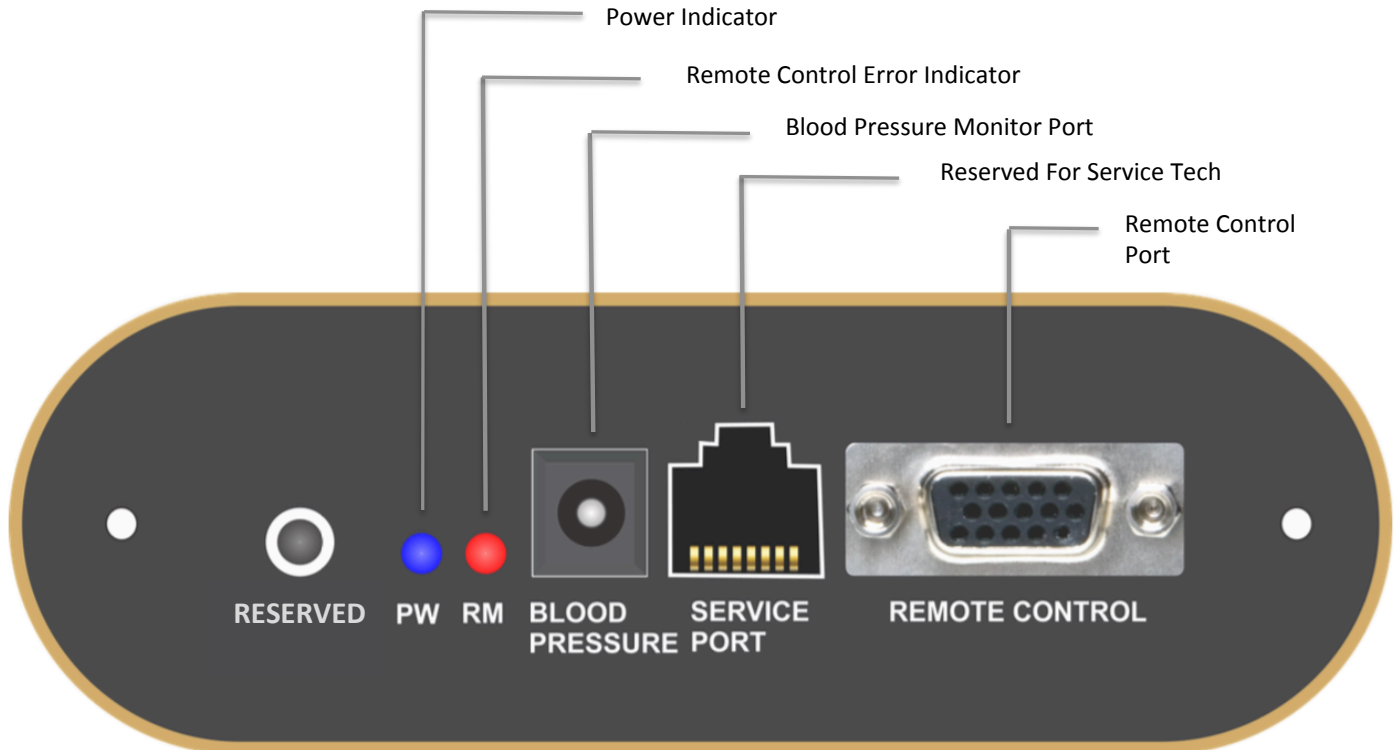


Fig.4: Side Panel

2. Plug the power cord to the back of the chair.
3. Power is turned on/off by a switch on the back of the chair (Switch to position I to turn on and position 0 to turn off).
4. Use the remote to choose the massage functions.

IV. UNDERSTANDING REMOTE CONTROL FEATURES

The Luraco Legend comes with an advanced touchscreen keypad. It's extremely easy to operate and self-explanatory. Figures below give the descriptions of some of the main screens.



Fig.5: Home Screen

1. Home Screen

- **Auto:**
Allows user to select one of the 9 automatic massage programs.
- **Manual:**
Allows user to customize a massage profile that best fits their body needs for optimal results. After an optimized profile is created, user can save it under "User Profile". User can then recall the saved profile next time chair is used.
- **Manual-3D:**
Allows user to fully control the 3D robotic system.

- **Adjustment:**
Allows user to adjust the chair to their preferred position. The chair position will be stored in user profile when saved.
- **Heat:**
Allows user to turn on/off the heat and to adjust the heat level.
- **Intensity:**
Unlike many other chairs on the market, the Legend gives the user control of the massage intensity for different parts of the body. Intensity levels are also stored in user profile when saved.
- **Speed**
Allows user to adjust speed while in the manual mode. Speed levels are also stored in the user profile when saved.
- **Settings:**
Allows user to setup system preferences and passcode protection.
- **Users:**
Allows user to save customized massage profile, chair position, and intensity levels.
- **Power Button**
Starts/Stops the massage chair. The default timer for each massage session is 20 minutes. When time is up, the chair maintains its position to avoid sleep disruption. Pressing this button a second time will put the chair back to its initial position automatically. Outer ring allows navigation around and between screens.

2. Automatic & Manual Massage Modes

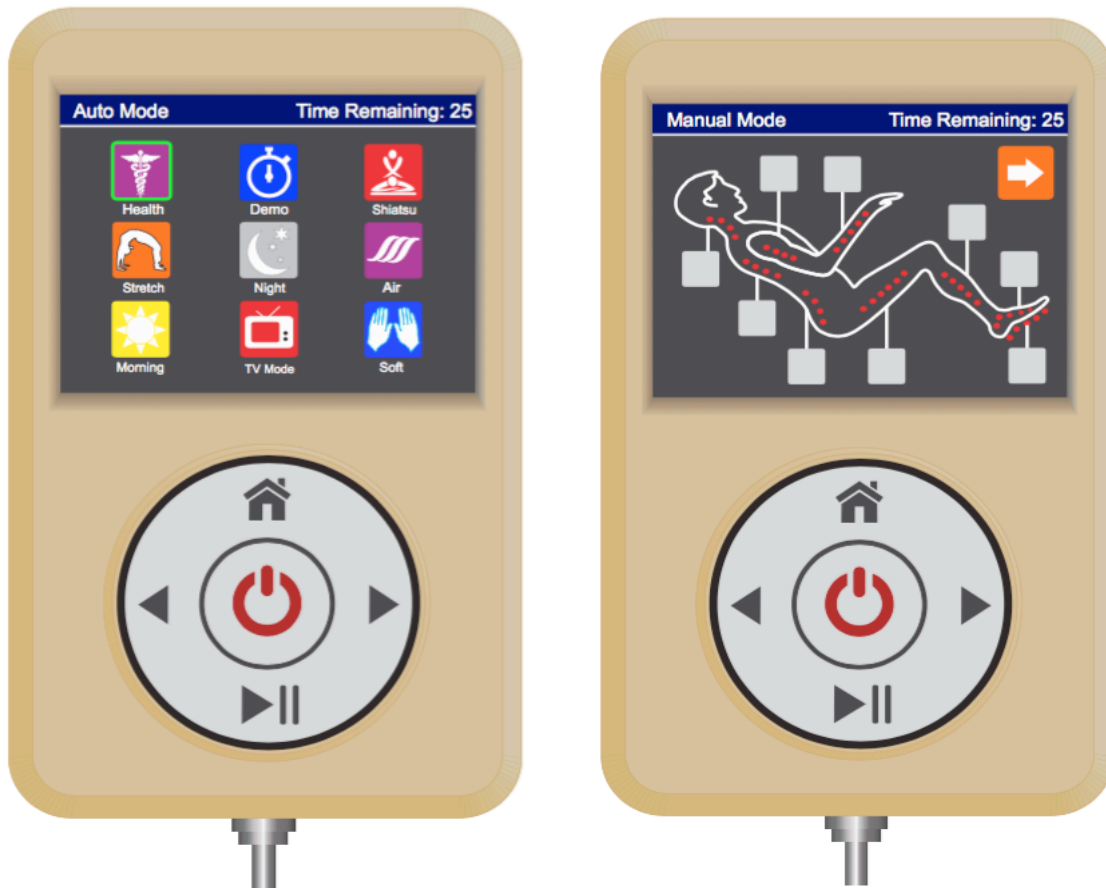


Fig.6: Automatic and Manual Mode Screen

Automatic Massage Modes

- **Health Massage Mode:**
Specifically designed for health enhancement that mainly focuses on health aspects like releasing muscle strain, improving blood flow, soothing anxiety and helping to relieve depression. This mode is the default massage mode when you start the chair.
- **Demo Mode:**
Provides a full body massage. It combines the best features of all massage modes into a short cycle.
- **Shiatsu Massage Mode:**
Provides a high intensity and point based massage with varied and rhythmic pressure on different parts of the body. It helps relieve severe tension in muscles and connective tissues, relieves blockages and rejuvenates the body.
- **Stretch Massage Mode:**
Provides stretching and promotes mobility throughout the body. It relaxes muscles, enhances muscular coordination, helps improve posture, and provides a greater sense of well-being.
- **Night Massage Mode:**
Designed specifically for evening/night use to enhance sleep, focusing on relieving postural stress after a day's work. It also helps relieve anxiety, depression and headaches.
- **Air Massage Mode:**
Provides air massage only. The 3D system is turned off in this mode.
- **Morning Massage Mode:**
Designed specifically for morning use, focusing on energizing the body by providing stretching, mobilizing joints and promoting flexibility with some muscle exercise.
- **TV Mode:**
Puts the chair into a comfortable position for watching TV.
- **Soft Massage Mode:**
Applies a very soft and gentle massage throughout the body. This mode is good for relieving headaches, muscle strains and helps to improve sleep.

Manual Massage Modes

As shown in Figure 6, this mode allows user to customize a massage profile that best fits their body needs for optimal results. After an optimized profile is created, user can save it under "Users Profile". User can then recall the saved profile next time chair is used. Simply press on the buttons connected to the body part diagram to turn the massage on/off.

3. Manual-3D Modes

This screen allows user to fully control the 3D robotic system for the back.



Fig.7: Manual 3D Mode Screen

4. Chair Adjustments

These screens allow user to adjust the chair angle to his or her favorite position. The shoulder position can also be adjusted after the body scanning. The sensor sensitivity feature allows user to adjust the body scanning sensor sensitivity for a more accurate body scanning and shoulder detection. If the chair detects your shoulder position higher than your actual shoulder position, try to increase the number on the sensor sensitivity in the figure on right below. **Please note:** Chair position adjustments can be saved in a user's profile. However, in some particular modes chair adjustments may be not allowed.



Fig.8: Chair Adjustment Screens

5. Heating Feature

This screen allows user to turn the heating feature of the chair on/off and to control the intensity level.

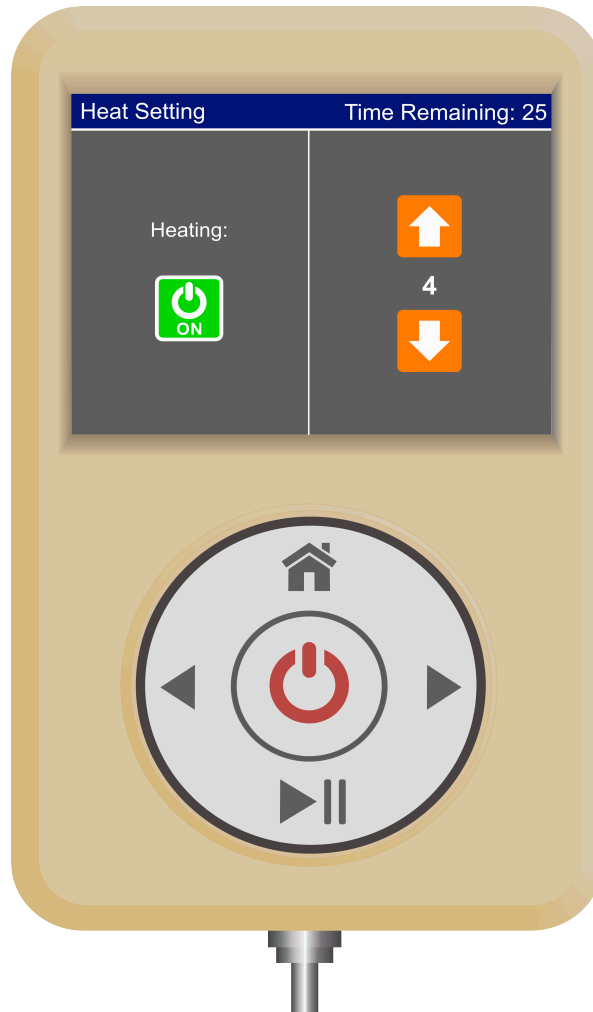


Fig.9: Heat Adjustment Screen

6. Intensity Adjustments

This feature allows user to independently adjust the massage intensity for different parts of the body. Intensity levels can also be saved and opened in the user's profile.



Fig.10: Intensity Adjustment Screens

7. Speed Adjustment (Available in Manual Mode Only)

This feature allows user to control the speed of the Tapping and Kneading motors in the 3D system. Speed levels can also be saved and opened in the user's profile.

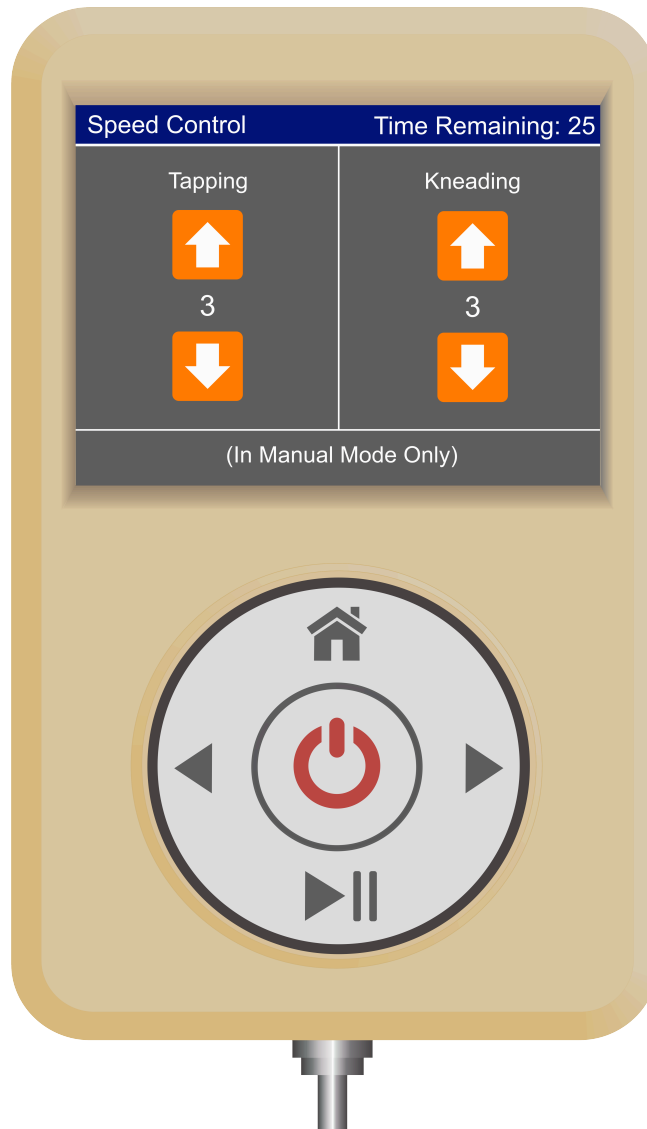


Fig.11: Speed Adjustment Screen

8. Settings

This screen allows user to setup system preferences, including time limit for each massage cycle, passcode protection, sleep setting (chair position after the cycle is complete), and system diagnostic information.

Please note: The default passcode is: 1111

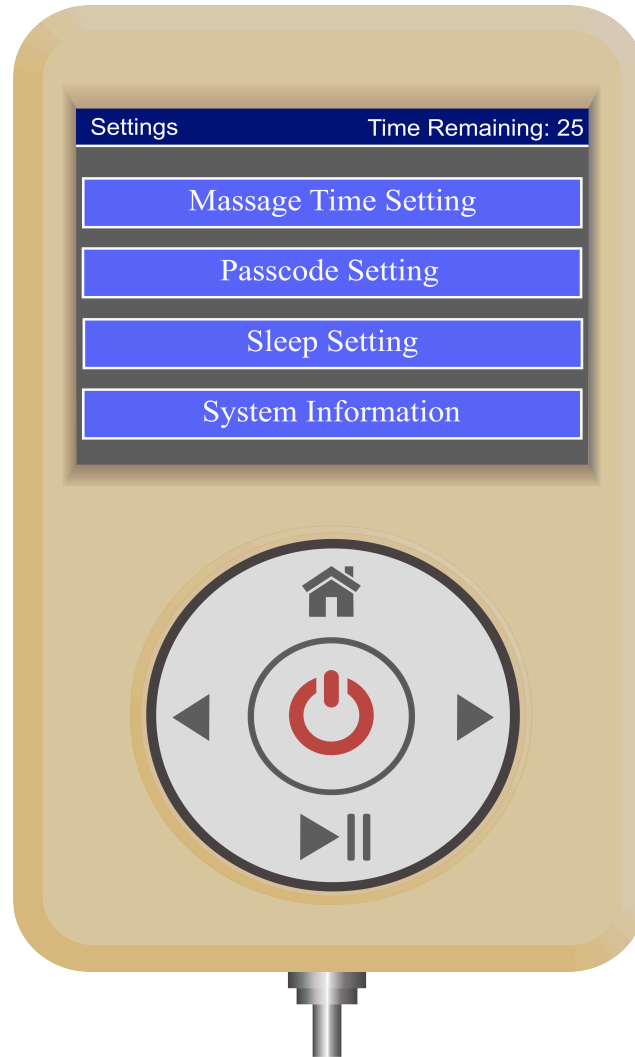


Fig.12: Settings Screen

9. Users

Luraco Legend provides an advanced feature for multiple users. This feature allows each user to save customized massage profiles, chair positions, and intensity levels. All data (chair position, body scanning, intensity, heat, and massage modes) can be saved and opened in User's Profile setting. Up to 5 different user profiles can be saved.



Fig.13: Users Profile Save/Open Screen

V. HEALTHCARE DEVICE (Optional)

1. About this device

The L-Track Legend Massage Chair has the capability to operate an optional health monitoring device made by OMRON. The device measures blood pressure and heart rate of the user. Connect the blood pressure monitor to blood pressure port on the side panel of the chair before operating (Refer to Fig.4).

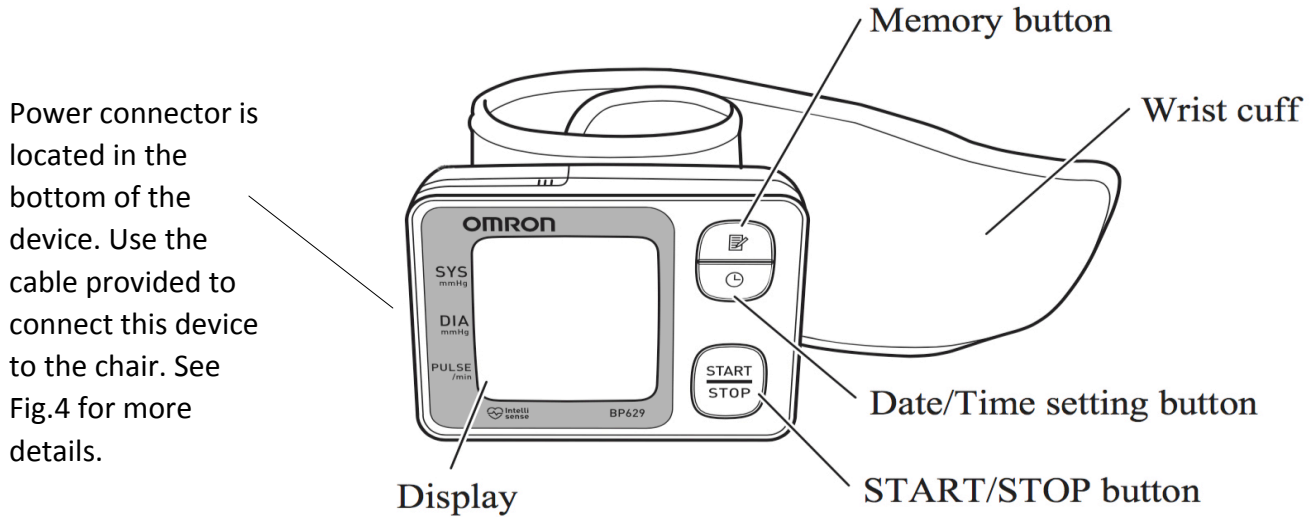


Fig.14: Wrist Blood Pressure & Heart Rate Monitor

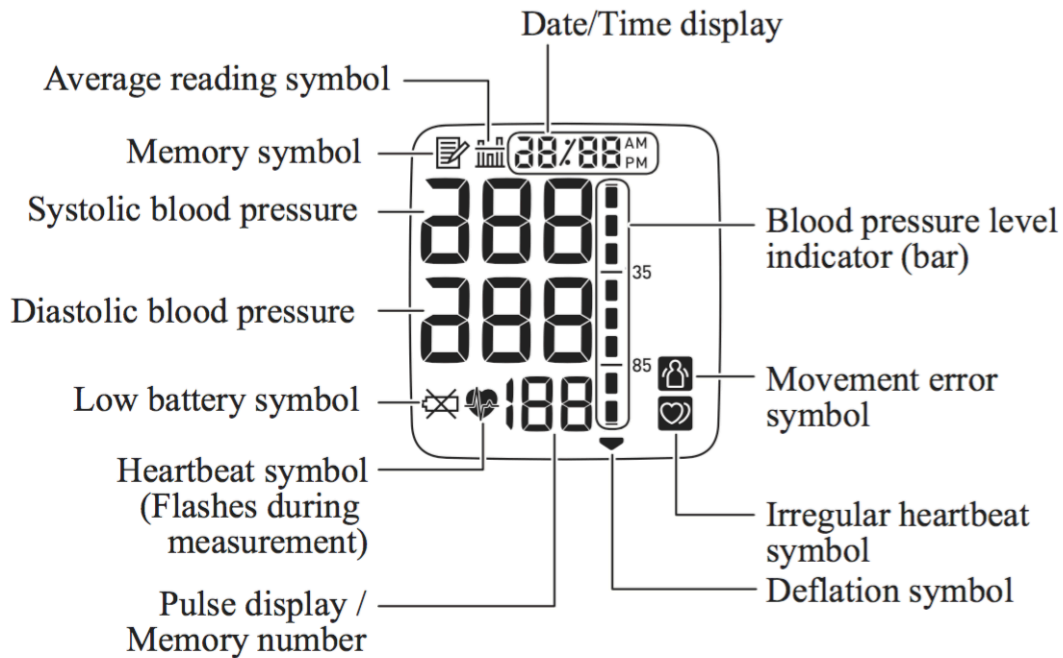


Fig.15: Display Screen

2. Taking a Measurement

- a) Wrap the cuff directly against your skin. Place the cuff over your left wrist as shown in Fig. 16. Fold the remaining part of the wrist cuff back out of the way.

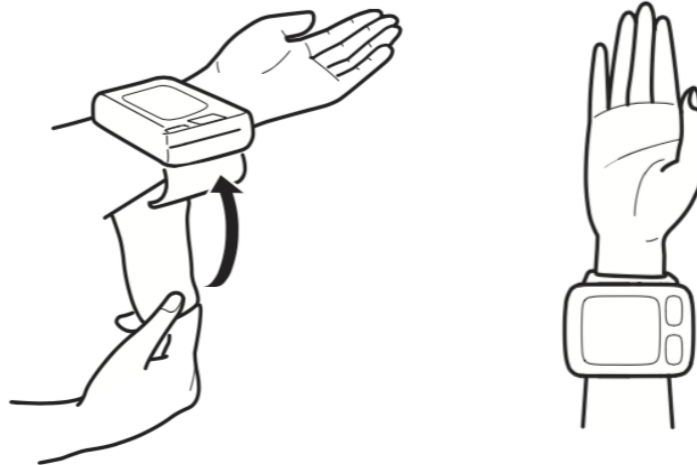


Fig.16: Device Setup Before Taking a Measurement

- b) Sit comfortably on the chair in the upright position with your legs uncrossed, your feet flat on the footrest and place your elbow on the armrest in order to relax before starting blood pressure measurement
- c) Hold your arm with the device at heart level. Hold your elbow firmly to avoid body movement. Sit still and do not talk or move during the measurement (Fig. 17)
- d) Press the START/STOP button

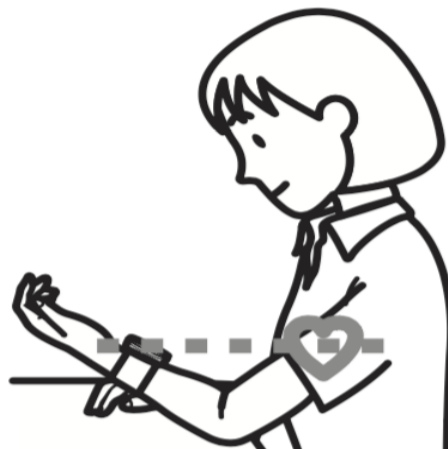


Fig.17: Hand Position When Taking a Measurement

VI. TROUBLESHOOTING OF THE MASSAGE CHAIR



WARNING: Unplug the power cord before attempting any troubleshooting or service.

Luraco L-Track Legend comes with advanced state-of-the-art electronics and software technology which support self-diagnostic features to detect individual failures of critical components in the massage system. The chair has different LED indicators, which help the user to narrow down a troubleshooting failure, if any. See Table 1 below for LED Function/Color Chart. (See Fig. 4 for panel location)

LED Function/Color	Meaning
Power (Blue)	Blue means power supply is good. The blue LED should be on continuously.
Remote Control (Red)	If this Red LED is on, it means the remote is not properly connected, has technical issue, or is still booting up.

Table 1: LED Functions

Problem/Issue	Possible Cause	Trouble Shooting Method
ALWAYS TRY THIS FIRST		Reboot the chair by turning power switch on the back of the chair OFF, then wait at least 10 seconds before turning it back ON
Chair does not function properly	<ol style="list-style-type: none"> 1. Bad connection between power plug and socket 2. Remote cable connection 3. No power at outlet 4. Bad fuse 	<ol style="list-style-type: none"> 1. Unplug and reconnect power cord again 2. Check remote connection, press power button on remote 3. Check to make sure power is available at the wall outlet 4. Replace with fuse of exact ratings
Tapping or humming sounds	Sounds from air valves or air compressor	Normal phenomenon
Shoulder detection not	Sensor may be out of calibration	Adjust the shoulder position manually and

accurate		save to your user's setting
Abnormal noise while working	May be from over working the massage mechanism	1. Reduce massage intensity 2. Some parts may need grease
Suddenly stops working	1. Bad power connection 2. Auto program timer is up	1. Unplug and reinsert power cord to the chair 2. Normal operation
Cannot restore position after reclining	Lost power or calibration	Reboot the chair
Remote control is warm	Over recommended usage	Normal phenomenon
Noise from foot roller	Bearings need lubricating	Add grease to all the bearings
Footrest does not extend automatically	Boot-up sequence error	Reboot the chair without a user in it
Remote screen is locked	Password protection is enabled	Enter default password "1111" to unlock

Table 2: Troubleshooting Guide

Note: If problem(s) are not found in the troubleshooting guide, please turn off power supply and contact the manufacturer for assistance.

MAINTENANCE INSTRUCTIONS:

This product should be maintained on a regular basis to promote cleanliness and to keep the mechanical internal system in optimal working order. It is important to keep the chair free of dust and debris to ensure it runs smoothly and to prevent damage or injuries during operation. Some mechanical parts should also be adjusted and in some cases, lubricated periodically to keep it in good working order. Use only leather care products for cleaning and maintaining the leather. **Note: Always turn off power switch and unplug the power cord before cleaning or servicing the chair.**

User Weight	Up to 300 lbs
User Height	Up to 6' 5"
Power Consumption	200 Watts (Max)
Recline Angle	120-170 Degrees
Default Timer	20 Minutes
Roller Track Length	58 Inches
Chair Weight	200 lbs
Max Width	37 Inches
Max Height	47 Inches
Max Length (with reclined backrest and extended footrest)	81 Inches
Accessories	Power cord, user's manual, and tool kit for chair assembly

Table 3: L-Track Legend Specifications

VII. WARRANTY INFORMATION

Introduction

Luraco Technologies is dedicated to offering our valued customers the best massage chair buying experience available. As part of this commitment, the company works very hard to provide customers with the best warranty plan available. We guarantee any defective massage chairs will be repaired or replaced during the effective warranty period.

What is covered in this warranty

1) For Home Use:

- This warranty includes parts and in-home labor costs covered for the first 3 years at no cost to customer.
- This warranty includes an additional two (2) years for parts at no cost to the customer.

Products	Application	In-House Service	Parts	Structural Frame
L-Track Legend	Home Use	3 (Years) *	5 (Years)	5 (Years)

2) For Commercial Use:

- This warranty includes parts and labor costs covered for the first 6 months at no cost to the customer.
- This warranty includes an additional 6 months for parts at no cost to the customer.

Products	Application	In-House Service	Parts	Structural Frame
L-Track Legend	Commercial Use	6 (Months) *	1 (Year)	1 (Year)

* Does not include Alaska, Hawaii, Puerto Rico, and International sales

What is NOT covered

- This warranty does not cover any loss or damage resulting from: improper installation, alterations or modifications of original condition, or unauthorized repairs.
- This warranty does not cover damage resulting from improper use of electrical/power supply, electrical disturbances and power surges, cracked remote control screen, cosmetic changes, improper operating environment or damage caused by animals or liquids of any kind.
- This warranty does not include any shipping expenses incurred.
- This warranty does not apply to normal wear and tear including leather or fabric covering.
- The warranty does not apply if the product has been damaged physically, whether intentional, accidental or by neglect: including but not limited to stains, fluids, mold, water damage, pet or insect damage, cuts, burns, loss of use during the period the product is at a repair facility, or otherwise awaiting parts or repair; and products purchased from unauthorized dealers.
- Unnecessary service. If no problem is found by service technician, you may be charged for service calls, labor, and travel costs.
- Display models that have been on showroom floor for more than twelve (12) months are not covered under this limited warranty.
- This warranty is non-transferable and applies only to the original purchaser of this product.

Implied Warranty

- Any implied warranties shall be limited to the duration of the 3 year portion of this warranty for home use and 6 months portion of this warranty for commercial use. With regard to structural frame, it is limited to the duration of the 5 year portion of this warranty for home use, and 1 year portion of this warranty for commercial use.

- In no case will Luraco Health & Beauty, LLC be liable for incidental or consequential damages, whether such damages are claimed on basis of breach of warranty, breach of contract, negligence or product liability, including without limitation, damage to property (other than the product) or other economic losses.
- Luraco Health & Beauty, LLC shall not be liable for any personal injury, property, or any incidental or consequential damages of any kind resulting from malfunctions, defects, misuse, improper installation or alteration of this product.

Extended Warranty Plan

Luraco's Legend massage chair comes with a high expectation of performance and reliability, and should last for many years. However, all products have a defective rate. If something does go wrong, Luraco offers a purchased Extended Warranty Plan.

The Extended Warranty Plan provides home use customers an additional 2 years of comprehensive protection for Luraco's massage chairs. You can rest assured that your massage chair will be taken care of as soon as possible. Extended warranty must be purchased within the first three (3) years of original chair purchase. See Section IX for further information.

Note: Extended warranty plan is available for in-home use application only. Luraco does not offer this plan for commercial use.

How to get warranty service:

- Customer may obtain service advice by contacting Luraco Technologies Customer Service Toll-free at 1-800-483-9930
- Customer must provide proof of purchase to claim any warranty.
- Customer must obtain a return authorization number in order to ship the chair to a service center.

Important Return Instructions:

If you need to send a unit to Luraco Health & Beauty, LLC. Please follow the steps below

1. Get a return authorization from your dealer
2. Carefully pack the item in its original carton or other suitable box to avoid damage in shipping
 3. Before packing your unit, be sure to enclose:
 - a. Your name with full shipping address and telephone number
 - b. A dated receipt for PROOF OF PURCHASE

Attach documentation detailing the problem you are having with your device. All shipping cost must be prepaid by the customer.

VIII. DISCLAIMERS

Limited warranty and liability: Information in this document is believed to be accurate and reliable. However, Luraco Health & Beauty, LLC does not give any representations or warranties, expressed or implied, as to the accuracy or completeness of such information and shall have no liability for the consequences of use of such information.

In no event shall Luraco Health & Beauty, LLC be liable for any indirect, incidental, punitive, special or consequential damages (including - without limitation - lost profits, lost savings, business interruption, costs related to the removal or replacement of any products or rework charges) whether or not such damages are based on tort (including negligence), warranty, breach of contract or any other legal theory.

Notwithstanding any damages that the customer might incur for any reason whatsoever, Luraco Health & Beauty, LLC aggregate and cumulative liability towards the customer for the products described herein shall be limited in accordance with the Terms and conditions of commercial sale of Luraco Health & Beauty, LLC.

Right to make changes: Luraco Health & Beauty, LLC reserves the right to make changes to information published in this document and its products, including without limitation specifications and product descriptions, at any time and without notice. This document supersedes and replaces all information supplied prior to the publication hereof.

Suitability for use: Medical research has shown that the benefits of massage include pain relief and reduced stress. Overall better health and wellness have been reported with the use of massage. However, this product is not intended to diagnose, treat, cure, or prevent any disease. It is not designed, authorized or warranted to be suitable for use in life support, life-critical or safety-critical systems or equipment, nor in applications where failure or malfunction of a Luraco Health & Beauty, LLC product can reasonably be expected to result in personal injury, death or severe property or environmental damage. Luraco Health & Beauty, LLC accepts no liability for inclusion and/or use of Luraco Health & Beauty, LLC products in such equipment or applications and therefore such inclusion and/or use are at the customer's own risk.

IX. EXTENDED WARRANTY REGISTRATION

Your purchase already comes with a comprehensive 3-Year Warranty. However, you can still protect your investment with an additional 2-Year Extended Warranty, which can be purchased by calling **1-800-483-9930**. You may also fill out the enclosed warranty registration card and mail **with payment and a copy of your receipt to:** Luraco Health & Beauty, LLC, Warranty Dept., 1140 107th Street, Arlington, Texas 76011-USA. If you have already purchased your 2 Year Extended Warranty, please register your extended warranty purchase by mailing in the warranty registration card or at www.luraco.com/warranty. **Note:** All fields are mandatory for processing.